

NEW PRODUCT INFORMATION

PRELIMINARY PRODUCT INFORMATION.
SPECS & IMAGES SUBJECT TO CHANGE.



PROGRAMME-X

Let's change the Programme!

In a constant quest for performance improvements, our R&D Team have done it again. The original Programme series have been a main-stay of installation business for over a decade, but..... its time for improvements.

The new Programme-X series brings increased SPL's, new drivers, new dimensions to aid any installation configuration. Every feature has been meticulously considered to suit the fixed installation market.

Five new models, each with high impedance (T) model options. Available in black or white paint finish and supplied with U brackets to make the installation easy!

FEATURES

- Improved SPL
(almost twice as loud as the original Programme series)
- New drivers
- Refined dimensions
- Improved horizontal coverage
- Available in Black or White
- Supplied with U brackets for easy installation
- Downloadable EASE files
- Downloadable FIR preset files
- 70 V / 100 V 'T' Models

AVAILABILITY

PROGRAMME-X Series

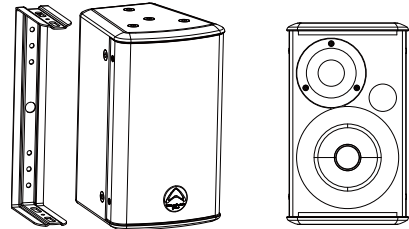
Shipping from February 2023

IMPROVEMENTS

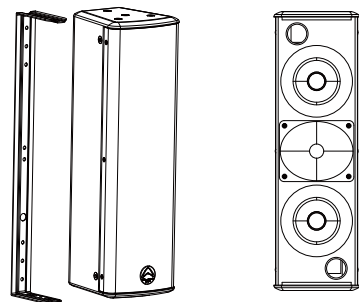


- Improved SPL
(almost twice as loud as the original Programme series)
- Improved horizontal coverage
- Refined dimensions

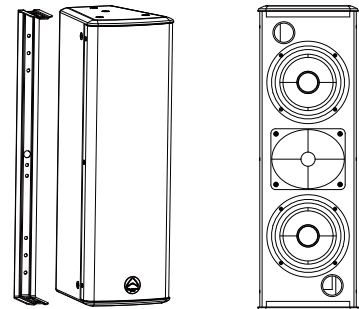
Model Name	Programme-X105 / X105T	<i>Programme 105 / 105T</i>
System Type	5" Passive	5" Passive
Sensitivity (2.83v/1m)	91 dB	89 dB
Calculated Maximum SPL @1m	116 dB	114 dB
Nominal Coverage (H x V)	60° x 60°	60° x 60°
Crossover frequency	2.3 KHz	2.3 KHz
Width Rear	130 mm / 5.12"	184 mm / 7.24"



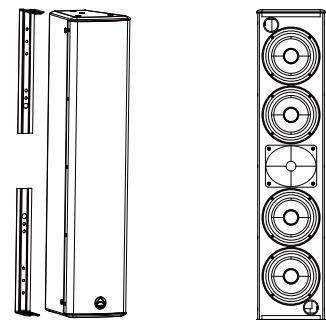
Model Name	Programme-X205 / X205T	<i>Programme 205 / 205T</i>
System Type	2 x 5" Passive	2 x 5" Passive
Sensitivity (2.83v/1m)	94 dB	91 dB
Calculated Maximum SPL @1m	120 dB	117 dB
Nominal Coverage (H x V)	90° x 60°	60° x 60°
Crossover frequency	2.0 KHz	2.3 KHz
Width Rear	130 mm / 7.24"	184 mm / 7.24"



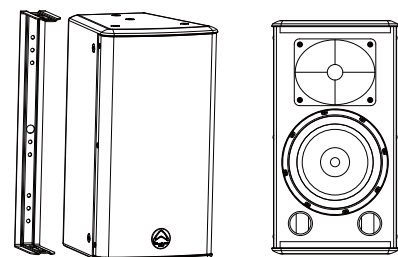
Model Name	Programme-X206 / X206T	<i>Programme 206 / 206T</i>
System Type	2 x 6.5" Passive	2 x 6.5" Passive
Sensitivity (2.83v/1m)	96 dB	93 dB
Calculated Maximum SPL @1m	124 dB	120 dB
Nominal Coverage (H x V)	90° x 60°	60° x 60°
Crossover frequency	2.1 KHz	2.3 KHz
Width Rear	140 mm / 5.51"	215 mm / 8.46"



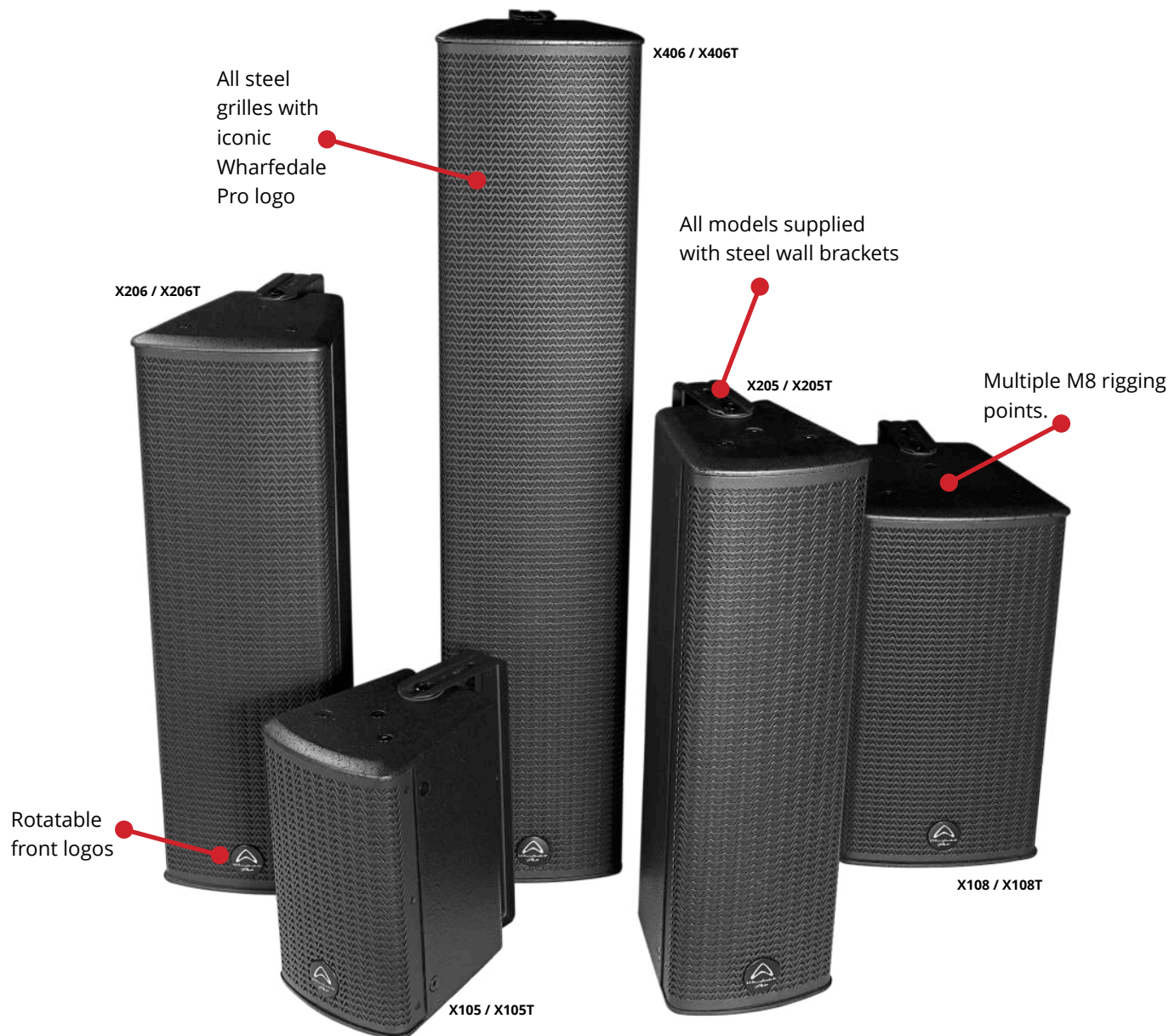
Model Name	Programme-X406 / X406T	<i>Programme 406 / 406T</i>
System Type	4 x 6.5" Passive	4 x 6.5" Passive
Sensitivity (2.83v/1m)	98 dB	96 dB
Calculated Maximum SPL @1m	129 dB	126 dB
Nominal Coverage (H x V)	90° x 60°	60° x 60°
Crossover frequency	2.1 KHz	2.3 KHz
Width Rear	140 mm / 5.51"	215 mm / 8.46"



Model Name	Programme-X108 / X108T	<i>Programme 108 / 108T</i>
System Type	Passive	Passive
Sensitivity (2.83v/1m)	94 dB	90 dB
Calculated Maximum SPL @1m	122 dB	118 dB
Nominal Coverage (H x V)	90° x 60°	60° x 60°
Crossover frequency	2.0 KHz	2.3 KHz
Width Rear	173 mm / 6.8"	248 mm / 9.76"



UP CLOSE

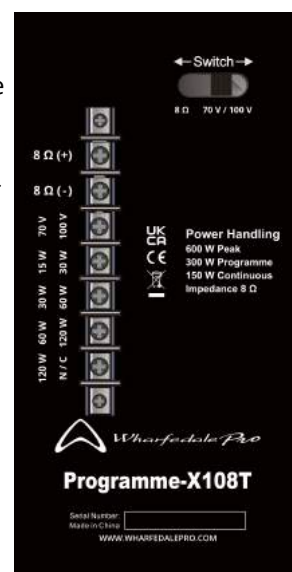


Around the back, the 8 Ohm models feature barrier strip and speakON compatible connectors. (excluding X105 barrier strip only)

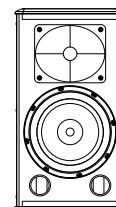
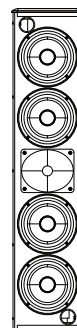
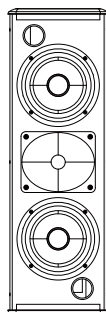
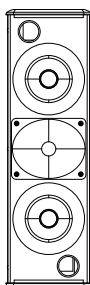
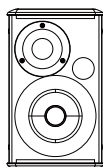


T- models feature barrier strip connection with clear labelling for easy wiring.

A top switch allows for continuous voltage or low impedance operation.



SPECIFICATIONS



Model Name	Programme-X105 / X105T	Programme-X205 / X205T	Programme-X206 / X206T	Programme-X406 / X406T	Programme-X108 / X108T
System Type	5" Passive	2 x 5" Passive	2 x 6.5" Passive	4 x 6.5" Passive	8" Passive
Configuration	Two-way	Two-way	Two-way	Two-way	Two-way
Frequency Response (+/-3 dB)	75 Hz - 20 KHz	70 Hz - 20 KHz	65 Hz - 20 KHz	60 Hz - 20 KHz	60 Hz - 20 KHz
Frequency Range (- 10 dB)	70 Hz - 20 KHz	65 Hz - 20 KHz	60 Hz - 20 KHz	55 Hz - 20 KHz	55 Hz - 20 KHz
Sensitivity (2.83v/1m)	91 dB	94 dB	96 dB	98 dB	94 dB
Calculated Maximum SPL @1 m	116 dB	120 dB	124 dB	129 dB	122 dB
System Rated Impedance	8 Ω	8 Ω	8 Ω	8 Ω	8 Ω
Low Frequency Transducer					
Size	127 mm / 5"	2 x 127 mm / 2 x 5"	2 x 165.1 mm / 2 x 6.5"	2 x 165.1 mm / 2 x 6.5"	203.2 mm / 8"
Voice Coil Size	25.5 mm / 1"	25.5 mm / 1"	25.5 mm / 1"	25.5 mm / 1"	51.5 mm / 2"
Rated Impedance	8 Ω	8 Ω	8 Ω	8 Ω	8 Ω
LF Power (re:AES2-2012)	65 W	2 x 50 W	2 x 65 W	4 x 65 W	150 W
High Frequency Transducer					
HF Driver Type	Dome Tweeter	Compression Driver	Compression Driver	Compression Driver	Compression Driver
Voice Coil Size	25.4 mm / 1"	25.4 mm / 1"	25.4 mm / 1"	25.4 mm / 1"	25.4 mm / 1"
Exit Size	25.4 mm / 1"	25.4 mm / 1"	25.4 mm / 1"	25.4 mm / 1"	25.4 mm / 1"
Diaphragm Material	Titanium	Rugged Phenolic	Rugged Phenolic	Rugged Phenolic	Rugged Phenolic
Rated Impedance	8Ω	8Ω	8Ω	8Ω	8Ω
HF Power (re:AES2-2012)	15 W	20 W	20 W	20 W	20 W
Nominal Coverage (H x V)	60° x 60°	90° x 60°	90° x 60°	90° x 60°	90° x 60°
Power					
System Continuous Power	80 W	100 W	150 W	300 W	150 W
System Programme Power	160 W	200 W	300 W	600 W	300 W
System Peak Power	320 W	400 W	600 W	1200 W	600 W
Crossover frequency	2.3 KHz	2.0 KHz	2.1 KHz	2.1 KHz	2.0 KHz
Recommended HPF = BW 18 dB/oct.	58 Hz	55 Hz	38 Hz	32 Hz	38 Hz
Input Connector	Barrier Strip	Barrier Strip	2 x NL4 (speakON Compatible) + Barrier Strip	2 x NL4 (speakON Compatible) + Barrier Strip	2 x NL4 (speakON Compatible) + Barrier Strip
Input Connectors (T)	Barrier Strip	Barrier Strip	Barrier Strip	Barrier Strip	Barrier Strip
Transformer (T)	100 V / 70 V	100 V / 70 V	100 V / 70 V	100 V / 70 V	100 V / 70 V
Transformer Taps (70 V)	7.5,15,30,60 W	10,20,40,80 W	15,30,60,120 W	15,30,60,120 W	15,30,60,120 W
Transformer Taps (100 V)	15,30,60 W	20,40,80 W	30,60,120 W	30,60,120 W	30,60,120 W
Hardware					
Rigging	M8 x 14	M8 x 18	M8 x 18	M8 x 18	M8 x 18
Pole Mount	N/A	N/A	N/A	N/A	N/A
Enclosure					
Enclosure Material	MDF	MDF	MDF	MDF	MDF
Finish	Black / White Paint	Black / White Paint	Black / White Paint	Black / White Paint	Black / White Paint
Grille Material & Finish	Black / White Full (Steel)	Black / White Full (Steel)	Black / White Full (Steel)	Black / White Full (Steel)	Black / White Full (Steel)
Dimensions - Unpacked					
Height	304 mm / 11.97"	600 mm / 19.69"	660.5 mm / 26"	980 mm / 38.58"	458 mm / 18.03"
Width Front	184 mm / 7.24"	184 mm / 7.24"	215 mm / 8.46"	215 mm / 8.46"	248 mm / 9.76"
Width Rear	130 mm / 5.12"	130 mm / 7.24"	140 mm / 5.51"	140 mm / 5.51"	173 mm / 6.8 "
Depth	205 mm / 8.07"	205 mm / 8.07"	275 mm / 10.82"	275 mm / 10.82"	275 mm / 10.83"
Dimensions - Packed					
Height	379 mm / 14.9"	675 mm / 26.6"	735 mm / 28.9"	1055 mm / 41.5"	533 mm / 21.0"
Width Front	250 mm / 9.8"	250 mm / 9.8"	291 mm / 11.5"	291 mm / 11.5"	324 mm / 12.8"
Width Rear	250 mm / 9.8"	250 mm / 9.8"	291 mm / 11.5"	291 mm / 11.5"	324 mm / 12.8"
Depth	274 mm / 10.8"	274 mm / 10.8"	345 mm / 13.6"	345 mm / 13.6"	345 mm / 13.6"
Weight					
Net Weight : Regular / T-Version	5.22 Kg / 6.42 Kg	9.34 Kg / 10.4 Kg	11.36 Kg / 15.24 Kg	17.8 Kg / 21.0 Kg	10.02 Kg / 12.94 Kg
Gross Weight : Regular / T-Version	6.59 Kg / 7.14 Kg	10.84 Kg / 11.9 Kg	13.4 Kg / 17.28 Kg	20.7 Kg / 23.8 kg	11.8 Kg / 14.54 Kg
Included accessory	black/white U bracket	black/white U bracket	black/white U bracket	black/white U bracket	black/white U bracket

